

## FEATURES

### User defined secondary supplies set overvoltage level

Overvoltage protection up to  $-55$  V and  $+55$  V

Power-off protection up to  $-55$  V and  $+55$  V

Overvoltage detection on source pins

Minimum secondary supply level: 4.5 V single-supply

Interrupt flag indicates fault status

### Low on resistance: 10 $\Omega$ typical

On-resistance flatness: 0.5  $\Omega$  maximum

4 kV human body model (HBM) ESD rating

Latch-up immune under any circumstance

V<sub>SS</sub> to V<sub>DD</sub> analog signal range

$\pm 5$  V to  $\pm 22$  V dual supply operation

8 V to 44 V single-supply operation

Fully specified at  $\pm 15$  V,  $\pm 20$  V,  $+12$  V, and  $+36$  V

## APPLICATIONS

Analog input/output modules

Process control/distributed control systems

Data acquisition

Instrumentation

Avionics

Automatic test equipment

Communication systems

## GENERAL DESCRIPTION

The ADG5462F contains four channels that are overvoltage protected. The channel protector is placed in series with the signal path and protects sensitive components from overvoltage faults in that path. The channel protector prevents overvoltages when powered and unpowered, and it is ideal for use in applications where correct power supply sequencing cannot always be guaranteed. The primary supply voltages define the on-resistance profile, while the secondary supply voltages define the voltage level at which the overvoltage protection engages.

When no power supplies are present, the channel remains in the off condition, and the channel inputs are high impedance. Under normal operating conditions, if the analog input signal levels on any S<sub>x</sub> pin exceed positive fault voltage (POSFV) or negative fault voltage (NEGFV) by a threshold voltage (V<sub>T</sub>), the channel turns off and that S<sub>x</sub> pin becomes high impedance. If the DR pin is driven low, the drain pin (D<sub>x</sub>) is pulled to the secondary supply voltage that was exceeded. The output profile for each DR voltage level is shown in Figure 49. Input signal levels up to  $-55$  V or  $+55$  V relative to ground are blocked in both the powered and unpowered conditions.

Rev. C

[Document Feedback](#)

Information furnished by Analog Devices is believed to be accurate and reliable. However, no responsibility is assumed by Analog Devices for its use, nor for any infringements of patents or other rights of third parties that may result from its use. Specifications subject to change without notice. No license is granted by implication or otherwise under any patent or patent rights of Analog Devices. Trademarks and registered trademarks are the property of their respective owners.

## FUNCTIONAL BLOCK DIAGRAM

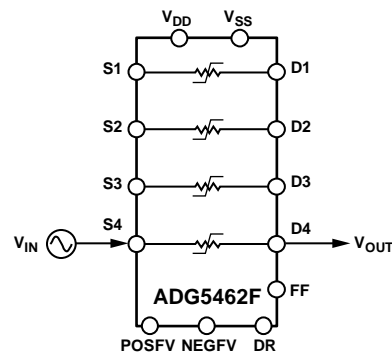


Figure 1.

1268B-001

The low on-resistance of these switches, combined with the on-resistance flatness over a significant portion of the signal range make them an ideal solution for data acquisition and instrumentation applications where excellent linearity and low distortion are critical.

## PRODUCT HIGHLIGHTS

1. Source pins (S<sub>x</sub>) are protected against voltages greater than the secondary supply rails (POSFV and NEGFV), up to  $-55$  V and  $+55$  V.
2. In an unpowered state, source pins (S<sub>x</sub>) are protected against voltages from  $-55$  V to  $+55$  V.
3. Overvoltage detection with digital output indicates the operating state of the channels.
4. Trench isolation guards against latch-up.
5. Optimized for low on-resistance and on-resistance flatness.
6. The ADG5462F operates from a dual power supply range of  $\pm 5$  V to  $\pm 22$  V or a single power supply range of 8 V to 44 V.

**TABLE OF CONTENTS**

|  |    |  |    |
|--|----|--|----|
| Features .....                                     | 1  | Test Circuits.....                         | 19 |
| Applications.....                                  | 1  | Terminology.....                           | 23 |
| Functional Block Diagram .....                     | 1  | Theory of Operation .....                  | 24 |
| General Description .....                          | 1  | Switch Architecture.....                   | 24 |
| Product Highlights .....                           | 1  | User Defined Fault Protection.....         | 25 |
| Revision History .....                             | 2  | Applications Information .....             | 27 |
| Specifications.....                                | 3  | Power Supply Rails.....                    | 27 |
| ±15 V Dual Supply .....                            | 3  | Power Supply Sequencing Protection .....   | 27 |
| ±20 V Dual Supply .....                            | 5  | Power Supply Recommendations.....          | 27 |
| 12 V Single Supply.....                            | 7  | User Defined Signal Range .....            | 27 |
| 36 V Single Supply.....                            | 9  | Low Impedance Channel Protection .....     | 27 |
| Continuous Current per Channel, Sx or Dx.....      | 10 | High Voltage Surge Suppression .....       | 27 |
| Absolute Maximum Ratings.....                      | 11 | Intelligent Fault Detection .....          | 28 |
| ESD Caution.....                                   | 11 | Large Voltage, High Frequency Signals..... | 28 |
| Pin Configurations and Function Descriptions ..... | 12 | Outline Dimensions .....                   | 29 |
| Typical Performance Characteristics .....          | 13 | Ordering Guide .....                       | 29 |

**REVISION HISTORY**

**10/2017—Rev. B to Rev. C**

|   |    |
|---|----|
| Changes to Fault Drain Leakage Current With Overvoltage<br>Parameter, Table 1.....  | 3  |
| Changes to Fault Drain Leakage Current With Overvoltage<br>Parameter, Table 2.....  | 7  |
| Changes to Fault Drain Leakage Current With Overvoltage<br>Parameter, Table 4 ..... | 9  |
| Updated Outline Dimensions .....  | 29 |
| Changes to Ordering Guide .....   | 29 |

**1/2016—Rev. A to Rev. B**

|  |   |
|--|---|
| Changes to General Description Section .....   | 1 |
| Changes to Table 1.....  | 3 |
| Changes to Channel On Leakage, I <sub>D</sub> (On), I <sub>S</sub> (On) Maximum<br>Parameter, Table 2..... | 5 |
| Changes to Table 3.....  | 7 |
| Changes to Table 4.....  | 9 |

**5/2015—Rev. 0 to Rev. A**

|   |           |
|---|-----------|
| Added 16-Lead LFCSP Package .....   | Universal |
| Changes to Drain Leakage Current, I <sub>D</sub> , with Overvoltage<br>Parameter Test Condition/Comment, Table 3..... | 7         |
| Changes to Drain Leakage Current, I <sub>D</sub> , with Overvoltage<br>Parameter Test Condition/Comment, Table 4..... | 9         |
| Changes to Table 5.....   | 10        |
| Changes to Table 6.....   | 11        |
| Added Figure 3; Renumbered Sequentially .....   | 12        |
| Changes to Table 7.....   | 12        |
| Added Figure 54 .....   | 29        |
| Updated Outline Dimensions .....  | 29        |
| Changes to Ordering Guide .....   | 29        |

**1/2015—Revision 0: Initial Version**

## SPECIFICATIONS

### ±15 V DUAL SUPPLY

$V_{DD} = 15\text{ V} \pm 10\%$ ,  $V_{SS} = -15\text{ V} \pm 10\%$ ,  $GND = 0\text{ V}$ ,  $C_{DECOUPLING} = 0.1\text{ }\mu\text{F}$ , unless otherwise noted.

Table 1.

| Parameter   | +25°C                | -40°C to +85°C       | -40°C to +125°C       | Unit                        | Test Conditions/Comments   |
|---|----------------------|----------------------|-----------------------|-----------------------------|--|
| <b>ANALOG SWITCH</b>                                  |                      |                      |                       |                             |  |
| Analog Signal Range                                   |                      |                      | $V_{DD}$ to $V_{SS}$  | V                           | $V_{DD} = +13.5\text{ V}$ , $V_{SS} = -13.5\text{ V}$ , see Figure 35  |
| On Resistance, $R_{ON}$                               | 10                   |                      |                       | $\Omega$ typ                | $V_S = \pm 10\text{ V}$ , $I_S = -10\text{ mA}$  |
|   | 11.2                 | 14                   | 16.5                  | $\Omega$ max                |  |
|   | 9.5                  |                      |                       | $\Omega$ typ                | $V_S = \pm 9\text{ V}$ , $I_S = -10\text{ mA}$   |
|   | 10.7                 | 13.5                 | 16                    | $\Omega$ max                |  |
| On-Resistance Match Between Channels, $\Delta R_{ON}$ | 0.05                 |                      |                       | $\Omega$ typ                | $V_S = \pm 10\text{ V}$ , $I_S = -10\text{ mA}$  |
|   | 0.5                  | 0.6                  | 0.7                   | $\Omega$ max                |  |
|   | 0.05                 |                      |                       | $\Omega$ typ                | $V_S = \pm 9\text{ V}$ , $I_S = -10\text{ mA}$   |
|   | 0.35                 | 0.5                  | 0.5                   | $\Omega$ max                |  |
| On-Resistance Flatness, $R_{FLAT(ON)}$                | 0.6                  |                      |                       | $\Omega$ typ                | $V_S = \pm 10\text{ V}$ , $I_S = -10\text{ mA}$  |
|   | 0.9                  | 1.1                  | 1.1                   | $\Omega$ max                |  |
|   | 0.1                  |                      |                       | $\Omega$ typ                | $V_S = \pm 9\text{ V}$ , $I_S = -10\text{ mA}$   |
|   | 0.4                  | 0.5                  | 0.5                   | $\Omega$ max                |  |
| Threshold Voltage, $V_T$                              | 0.7                  |                      |                       | V typ                       | See Figure 23  |
| <b>LEAKAGE CURRENTS</b>                               |                      |                      |                       |                             |  |
| Channel On Leakage, $I_D$ (On), $I_S$ (On)            | $\pm 0.3$            |                      |                       | nA typ                      | $V_{DD} = +16.5\text{ V}$ , $V_{SS} = -16.5\text{ V}$  |
|   | $\pm 1.5$            | $\pm 2.0$            | $\pm 4.5$             | nA max                      | $V_S = V_D = \pm 10\text{ V}$ , see Figure 36  |
| <b>FAULT</b>  |                      |                      |                       |                             |  |
| Source Leakage Current, $I_S$<br>With Overvoltage     |                      |                      | $\pm 78$              | $\mu\text{A}$ typ           | $V_{DD} = +16.5\text{ V}$ , $V_{SS} = -16.5\text{ V}$ , $GND = 0\text{ V}$ ,<br>$V_S = \pm 55\text{ V}$ , see Figure 37                                      |
| Power Supplies Grounded or Floating                   |                      |                      | $\pm 40$              | $\mu\text{A}$ typ           | $V_{DD} = 0\text{ V}$ or floating, $V_{SS} = 0\text{ V}$ or floating,<br>$GND = 0\text{ V}$ , $V_S = \pm 55\text{ V}$ , see Figure 38                        |
| Drain Leakage Current, $I_D$<br>With Overvoltage      | $\pm 2.0$            |                      |                       | nA typ                      | $DR = \text{floating or } V_{DD}$<br>$V_{DD} = +16.5\text{ V}$ , $V_{SS} = -16.5\text{ V}$ , $GND = 0\text{ V}$ ,<br>$V_S = \pm 55\text{ V}$ , see Figure 37 |
| Power Supplies Grounded                               | $\pm 20$<br>$\pm 10$ | $\pm 30$             | $\pm 65$              | nA max<br>nA typ            | $V_{DD} = 0\text{ V}$ , $V_{SS} = 0\text{ V}$ , $GND = 0\text{ V}$ ,<br>$V_S = \pm 55\text{ V}$ , see Figure 38  |
| Power Supplies Floating                               | $\pm 30$<br>$\pm 10$ | $\pm 50$<br>$\pm 10$ | $\pm 100$<br>$\pm 10$ | nA max<br>$\mu\text{A}$ typ | $V_{DD} = \text{floating}$ , $V_{SS} = \text{floating}$ , $GND = 0\text{ V}$ ,<br>$V_S = \pm 55\text{ V}$ , see Figure 38                                    |
| <b>DIGITAL INPUTS/OUTPUTS (DR/FF)</b>                 |                      |                      |                       |                             |  |
| Input Voltage High, $V_{INH}$                         |                      |                      | 2.0                   | V min                       | $V_{IN} = V_{GND}$ or $V_{DD}$   |
| Input Voltage Low, $V_{INL}$                          |                      |                      | 0.8                   | V max                       |  |
| Input Current, $I_{INL}$ or $I_{INH}$                 | $\pm 0.7$            |                      |                       | $\mu\text{A}$ typ           |  |
|   |                      |                      | $\pm 1.2$             | $\mu\text{A}$ max           |  |
| Digital Input Capacitance, $C_{IN}$                   | 5.0                  |                      |                       | pF typ                      |  |
| Output Voltage High, $V_{OH}$                         | 2.0                  |                      |                       | V min                       |  |
| Output Voltage Low, $V_{OL}$                          | 0.8                  |                      |                       | V max                       |  |

| Parameter  | +25°C  | -40°C to +85°C | -40°C to +125°C | Unit              | Test Conditions/Comments   |  |
|--|--------|----------------|-----------------|-------------------|--|--|
| <b>DYNAMIC CHARACTERISTICS<sup>1</sup></b>                                     |        |                |                 |                   |  |  |
| Overvoltage Response Time, $t_{\text{RESPONSE}}$                               | 460    |                |                 | ns typ            | $R_L = 1 \text{ k}\Omega$ , $C_L = 2 \text{ pF}$ , see Figure 42   |  |
|  | 585    | 615            | 630             | ns max            |  |  |
| Overvoltage Recovery Time, $t_{\text{RECOVERY}}$                               | 720    |                |                 | ns typ            | $R_L = 1 \text{ k}\Omega$ , $C_L = 2 \text{ pF}$ , see Figure 43   |  |
|  | 930    | 1050           | 1100            | ns max            |  |  |
| Drain Pull-Up/Pull-Down Time Following Overvoltage, $t_{\text{RESPONSE (DR)}}$ | 4      |                |                 | $\mu\text{s typ}$ | $C_L = 12 \text{ pF}$ , see Figure 47  |  |
| Interrupt Flag Response Time, $t_{\text{DIGRESP}}$                             | 85     |                | 115             | ns typ            | $C_L = 12 \text{ pF}$ , see Figure 44  |  |
| Interrupt Flag Recovery Time, $t_{\text{DIGREC}}$                              | 60     |                | 85              | $\mu\text{s typ}$ | $C_L = 12 \text{ pF}$ , see Figure 45  |  |
|  | 600    |                |                 | ns typ            | $C_L = 12 \text{ pF}$ , $R_{\text{PULLUP}} = 1 \text{ k}\Omega$ , see Figure 46                                    |  |
| Channel-to-Channel Crosstalk   | -90    |                |                 | dB typ            | $R_L = 50 \Omega$ , $C_L = 5 \text{ pF}$ , $f = 1 \text{ MHz}$ , see Figure 39                                     |  |
| Total Harmonic Distortion Plus Noise, THD + N                                  | 0.0015 |                |                 | % typ             | $R_L = 10 \text{ k}\Omega$ , $V_S = 15 \text{ V p-p}$ , $f = 20 \text{ Hz to } 20 \text{ kHz}$ , see Figure 41     |  |
| -3 dB Bandwidth  | 318    |                |                 | MHz typ           | $R_L = 50 \Omega$ , $C_L = 5 \text{ pF}$ , see Figure 40   |  |
| Insertion Loss   | -0.8   |                |                 | dB typ            | $R_L = 50 \Omega$ , $C_L = 5 \text{ pF}$ , $f = 1 \text{ MHz}$ , see Figure 40                                     |  |
| $C_D$ (On), $C_S$ (On)   | 24     |                |                 | pF typ            | $V_S = 0 \text{ V}$ , $f = 1 \text{ MHz}$  |  |
| <b>POWER REQUIREMENTS</b>  |        |                |                 |                   |  |  |
| Normal Mode  |        |                |                 |                   |  |  |
| $I_{\text{DD}}$  | 0.9    |                |                 | mA typ            | $V_{\text{DD}} = \text{POSFV} = +16.5 \text{ V}$ , $V_{\text{SS}} = \text{NEGFV} = -16.5 \text{ V}$ ,<br>GND = 0 V |  |
| $I_{\text{POSFV}}$   | 0.1    |                |                 | mA typ            |  |  |
| $I_{\text{DD}} + I_{\text{POSFV}}$   | 1.2    |                | 1.3             | mA max            |  |  |
| $I_{\text{GND}}$   | 0.4    |                |                 | mA typ            |  |  |
|  | 0.55   |                | 0.6             | mA max            |  |  |
| $I_{\text{SS}}$  | 0.5    |                |                 | mA typ            |  |  |
| $I_{\text{NEGFV}}$   | 0.1    |                |                 | mA typ            |  |  |
| $I_{\text{SS}} + I_{\text{NEGFV}}$   | 0.65   |                | 0.7             | mA max            |  |  |
| Fault Mode   |        |                |                 |                   |  |  |
| $I_{\text{DD}}$  | 1.2    |                |                 | mA typ            |  |  |
| $I_{\text{POSFV}}$   | 0.1    |                |                 | mA typ            |  |  |
| $I_{\text{DD}} + I_{\text{POSFV}}$   | 1.6    |                | 1.8             | mA max            |  |  |
| $I_{\text{GND}}$   | 0.8    |                |                 | mA typ            |  |  |
|  | 1.0    |                | 1.1             | mA max            |  |  |
| $I_{\text{SS}}$  | 0.5    |                |                 | mA typ            |  |  |
| $I_{\text{NEGFV}}$   | 0.1    |                |                 | mA typ            |  |  |
| $I_{\text{SS}} + I_{\text{NEGFV}}$   | 1.0    |                | 1.8             | mA max            |  |  |
| $V_{\text{DD}}/V_{\text{SS}}$  |        |                | $\pm 5$         | V min             | GND = 0 V  |  |
|  |        |                | $\pm 22$        | V max             | GND = 0 V  |  |

<sup>1</sup> Guaranteed by design; not subject to production test.

**±20 V DUAL SUPPLY**

$V_{DD} = 20\text{ V} \pm 10\%$ ,  $V_{SS} = -20\text{ V} \pm 10\%$ ,  $GND = 0\text{ V}$ ,  $C_{DECOUPLING} = 0.1\text{ }\mu\text{F}$ , unless otherwise noted.

**Table 2.**

| Parameter   | +25°C     | -40°C to +85°C | -40°C to +125°C      | Unit              | Test Conditions/Comments   |
|---|-----------|----------------|----------------------|-------------------|--|
| <b>ANALOG SWITCH</b>                                  |           |                |                      |                   |  |
| Analog Signal Range                                   |           |                | $V_{DD}$ to $V_{SS}$ | V                 | $V_{DD} = +18\text{ V}$ , $V_{SS} = -18\text{ V}$ , see Figure 35  |
| On Resistance, $R_{ON}$                               | 10        |                |                      | $\Omega$ typ      | $V_S = \pm 15\text{ V}$ , $I_S = -10\text{ mA}$  |
|   | 11.5      | 14.5           | 16.5                 | $\Omega$ max      |  |
|   | 9.5       |                |                      | $\Omega$ typ      | $V_S = \pm 13.5\text{ V}$ , $I_S = -10\text{ mA}$  |
|   | 11        | 14             | 16.5                 | $\Omega$ max      |  |
| On-Resistance Match Between Channels, $\Delta R_{ON}$ | 0.05      |                |                      | $\Omega$ typ      | $V_S = \pm 15\text{ V}$ , $I_S = -10\text{ mA}$  |
|   | 0.35      | 0.5            | 0.5                  | $\Omega$ max      |  |
|   | 0.05      |                |                      | $\Omega$ typ      | $V_S = \pm 13.5\text{ V}$ , $I_S = -10\text{ mA}$  |
|   | 0.35      | 0.5            | 0.5                  | $\Omega$ max      |  |
| On-Resistance Flatness, $R_{FLAT(ON)}$                | 1.0       |                |                      | $\Omega$ typ      | $V_S = \pm 15\text{ V}$ , $I_S = -10\text{ mA}$  |
|   | 1.4       | 1.5            | 1.5                  | $\Omega$ max      |  |
|   | 0.1       |                |                      | $\Omega$ typ      | $V_S = \pm 13.5\text{ V}$ , $I_S = -10\text{ mA}$  |
|   | 0.4       | 0.5            | 0.5                  | $\Omega$ max      |  |
| Threshold Voltage, $V_T$                              | 0.7       |                |                      | V typ             | See Figure 23  |
| <b>LEAKAGE CURRENTS</b>                               |           |                |                      |                   |  |
| Channel On Leakage, $I_D$ (On), $I_S$ (On)            | $\pm 0.3$ |                |                      | nA typ            | $V_{DD} = +22\text{ V}$ , $V_{SS} = -22\text{ V}$  |
|   | $\pm 1.5$ | $\pm 2.0$      | $\pm 4.5$            | nA max            | $V_S = V_D = \pm 15\text{ V}$ , see Figure 36  |
| <b>FAULT</b>  |           |                |                      |                   |  |
| Source Leakage Current, $I_S$                         |           |                |                      |                   |  |
| With Overvoltage                                      |           |                | $\pm 78$             | $\mu\text{A}$ typ | $V_{DD} = +22\text{ V}$ , $V_{SS} = -22\text{ V}$ , $GND = 0\text{ V}$ , $V_S = \pm 55\text{ V}$ , see Figure 37                   |
| Power Supplies Grounded or Floating                   |           |                | $\pm 40$             | $\mu\text{A}$ typ | $V_{DD} = 0\text{ V}$ or floating, $V_{SS} = 0\text{ V}$ or floating, $GND = 0\text{ V}$ , $V_S = \pm 55\text{ V}$ , see Figure 38 |
| Drain Leakage Current, $I_D$                          |           |                |                      |                   | $DR = \text{floating or } V_{DD}$  |
| With Overvoltage                                      | $\pm 5.0$ |                |                      | nA typ            | $V_{DD} = +22\text{ V}$ , $V_{SS} = -22\text{ V}$ , $GND = 0\text{ V}$ , $V_S = \pm 55\text{ V}$ , see Figure 37                   |
| Power Supplies Grounded                               | $\pm 1.0$ | $\pm 1.0$      | $\pm 1.0$            | $\mu\text{A}$ max |  |
|   | $\pm 10$  |                |                      | nA typ            | $V_{DD} = 0\text{ V}$ , $V_{SS} = 0\text{ V}$ , $GND = 0\text{ V}$ , $V_S = \pm 55\text{ V}$ , see Figure 38                       |
| Power Supplies Floating                               | $\pm 30$  | $\pm 50$       | $\pm 100$            | nA max            |  |
|   | $\pm 10$  | $\pm 10$       | $\pm 10$             | $\mu\text{A}$ typ | $V_{DD} = \text{floating}$ , $V_{SS} = \text{floating}$ , $GND = 0\text{ V}$ , $V_S = \pm 55\text{ V}$ , see Figure 38             |
| <b>DIGITAL INPUTS/OUTPUTS</b>                         |           |                |                      |                   |  |
| Input Voltage High, $V_{INH}$                         |           |                | 2.0                  | V min             |  |
| Input Voltage Low, $V_{INL}$                          |           |                | 0.8                  | V max             |  |
| Input Current, $I_{INL}$ or $I_{INH}$                 | 0.7       |                |                      | $\mu\text{A}$ typ | $V_{IN} = V_{GND}$ or $V_{DD}$   |
|   |           |                | 1.2                  | $\mu\text{A}$ max |  |
| Digital Input Capacitance, $C_{IN}$                   | 5.0       |                |                      | pF typ            |  |
| Output Voltage High, $V_{OH}$                         | 2.0       |                |                      | V min             |  |
| Output Voltage Low, $V_{OL}$                          | 0.8       |                |                      | V max             |  |

| Parameter  | +25°C       | -40°C to +85°C | -40°C to +125°C     | Unit                        | Test Conditions/Comments   |  |
|--|-------------|----------------|---------------------|-----------------------------|--|--|
| <b>DYNAMIC CHARACTERISTICS<sup>1</sup></b>                                     |             |                |                     |                             |  |  |
| Overvoltage Response Time, $t_{\text{RESPONSE}}$                               | 370<br>480  | 500            | 515                 | ns typ<br>ns max            | $R_L = 1\text{ k}\Omega$ , $C_L = 2\text{ pF}$ , see Figure 42   |  |
| Overvoltage Recovery Time, $t_{\text{RECOVERY}}$                               | 840<br>1200 | 1400           | 1700                | ns typ<br>ns max            | $R_L = 1\text{ k}\Omega$ , $C_L = 2\text{ pF}$ , see Figure 43   |  |
| Drain Pull-Up/Pull-Down Time Following Overvoltage, $t_{\text{RESPONSE (DR)}}$ | 4           |                |                     | $\mu\text{s typ}$           | $C_L = 12\text{ pF}$ , see Figure 47   |  |
| Interrupt Flag Response Time, $t_{\text{DIGRESP}}$                             | 85          |                | 115                 | ns typ                      | $C_L = 12\text{ pF}$ , see Figure 44   |  |
| Interrupt Flag Recovery Time, $t_{\text{DIGREC}}$                              | 60<br>600   |                | 85                  | $\mu\text{s typ}$<br>ns typ | $C_L = 12\text{ pF}$ , see Figure 45<br>$C_L = 12\text{ pF}$ , $R_{\text{PULLUP}} = 1\text{ k}\Omega$ , see Figure 46        |  |
| Channel-to-Channel Crosstalk   | -90         |                |                     | dB typ                      | $R_L = 50\ \Omega$ , $C_L = 5\text{ pF}$ , $f = 1\text{ MHz}$ , see Figure 39  |  |
| Total Harmonic Distortion Plus Noise, THD + N                                  | 0.001       |                |                     | % typ                       | $R_L = 10\text{ k}\Omega$ , $V_S = 20\text{ V p-p}$ ,<br>$f = 20\text{ Hz to }20\text{ kHz}$ , see Figure 41                 |  |
| -3 dB Bandwidth  | 310         |                |                     | MHz typ                     | $R_L = 50\ \Omega$ , $C_L = 5\text{ pF}$ , see Figure 40   |  |
| Insertion Loss   | -0.8        |                |                     | dB typ                      | $R_L = 50\ \Omega$ , $C_L = 5\text{ pF}$ , $f = 1\text{ MHz}$ , see Figure 40  |  |
| $C_D$ (On), $C_S$ (On)   | 23          |                |                     | pF typ                      | $V_S = 0\text{ V}$ , $f = 1\text{ MHz}$  |  |
| <b>POWER REQUIREMENTS</b>  |             |                |                     |                             |  |  |
| Normal Mode  |             |                |                     |                             |  |  |
| $I_{\text{DD}}$  | 0.9         |                |                     | mA typ                      | $V_{\text{DD}} = \text{POSFV} = +22\text{ V}$ , $V_{\text{SS}} = \text{NEGFV} = -22\text{ V}$<br><br>$V_S = \pm 55\text{ V}$ |  |
| $I_{\text{POSFV}}$   | 0.1         |                |                     | mA typ                      |  |  |
| $I_{\text{DD}} + I_{\text{POSFV}}$   | 1.2         |                | 1.3                 | mA max                      |  |  |
| $I_{\text{GND}}$   | 0.4         |                |                     | mA typ                      |  |  |
|  | 0.55        |                | 0.6                 | mA max                      |  |  |
| $I_{\text{SS}}$  | 0.5         |                |                     | mA typ                      |  |  |
| $I_{\text{NEGFV}}$   | 0.1         |                |                     | mA typ                      |  |  |
| $I_{\text{SS}} + I_{\text{NEGFV}}$   | 0.65        |                | 0.7                 | mA max                      |  |  |
| Fault Mode   |             |                |                     |                             |  |  |
| $I_{\text{DD}}$  | 1.2         |                |                     | mA typ                      |  |  |
| $I_{\text{POSFV}}$   | 0.1         |                |                     | mA typ                      |  |  |
| $I_{\text{DD}} + I_{\text{POSFV}}$   | 1.6         |                | 1.8                 | mA max                      |  |  |
| $I_{\text{GND}}$   | 0.8         |                |                     | mA typ                      |  |  |
|  | 1.0         |                | 1.1                 | mA max                      |  |  |
| $I_{\text{SS}}$  | 0.5         |                |                     | mA typ                      |  |  |
| $I_{\text{NEGFV}}$   | 0.1         |                |                     | mA typ                      |  |  |
| $I_{\text{SS}} + I_{\text{NEGFV}}$   | 1.0         |                | 1.8                 | mA max                      |  |  |
| $V_{\text{DD}}/V_{\text{SS}}$  |             |                | $\pm 5$<br>$\pm 22$ | V min<br>V max              | GND = 0 V<br>GND = 0 V   |  |

<sup>1</sup> Guaranteed by design; not subject to production test.

**12 V SINGLE SUPPLY**

$V_{DD} = 12\text{ V} \pm 10\%$ ,  $V_{SS} = 0\text{ V}$ ,  $GND = 0\text{ V}$ ,  $C_{DECOUPLING} = 0.1\text{ }\mu\text{F}$ , unless otherwise noted.

**Table 3.**

| Parameter   | +25°C                | -40°C to +85°C       | -40°C to +125°C       | Unit                        | Test Conditions/Comments   |
|---|----------------------|----------------------|-----------------------|-----------------------------|--|
| <b>ANALOG SWITCH</b>                                  |                      |                      |                       |                             |  |
| Analog Signal Range                                   |                      |                      | 0 V to $V_{DD}$       | V                           | $V_{DD} = +10.8\text{ V}$ , $V_{SS} = 0\text{ V}$ , see Figure 35  |
| On Resistance, $R_{ON}$                               | 22                   |                      |                       | $\Omega$ typ                | $V_S = 0\text{ V to } +10\text{ V}$ , $I_S = -10\text{ mA}$  |
|   | 24.5                 | 31                   | 37                    | $\Omega$ max                |  |
|   | 10                   |                      |                       | $\Omega$ typ                | $V_S = +3.5\text{ V to } +8.5\text{ V}$ , $I_S = -10\text{ mA}$  |
|   | 11.2                 | 14                   | 16.5                  | $\Omega$ max                |  |
| On-Resistance Match Between Channels, $\Delta R_{ON}$ | 0.05                 |                      |                       | $\Omega$ typ                | $V_S = 0\text{ V to } +10\text{ V}$ , $I_S = -10\text{ mA}$  |
|   | 0.5                  | 0.6                  | 0.7                   | $\Omega$ max                |  |
|   | 0.05                 |                      |                       | $\Omega$ typ                | $V_S = +3.5\text{ V to } +8.5\text{ V}$ , $I_S = -10\text{ mA}$  |
|   | 0.5                  | 0.6                  | 0.7                   | $\Omega$ max                |  |
| On-Resistance Flatness, $R_{FLAT(ON)}$                | 12.5                 |                      |                       | $\Omega$ typ                | $V_S = 0\text{ V to } +10\text{ V}$ , $I_S = -10\text{ mA}$  |
|   | 14.5                 | 19                   | 23                    | $\Omega$ max                |  |
|   | 0.6                  |                      |                       | $\Omega$ typ                | $V_S = +3.5\text{ V to } +8.5\text{ V}$ , $I_S = -10\text{ mA}$  |
|   | 0.9                  | 1.1                  | 1.3                   | $\Omega$ max                |  |
| Threshold Voltage, $V_T$                              | 0.7                  |                      |                       | V typ                       | See Figure 23  |
| <b>LEAKAGE CURRENTS</b>                               |                      |                      |                       |                             |  |
| Channel On Leakage, $I_D$ (On), $I_S$ (On)            | $\pm 0.3$            |                      |                       | nA typ                      | $V_{DD} = +13.2\text{ V}$ , $V_{SS} = 0\text{ V}$  |
|   | $\pm 1.5$            | $\pm 2.0$            | $\pm 4.5$             | nA max                      | $V_S = V_D = 1\text{ V}/10\text{ V}$ , see Figure 36   |
| <b>FAULT</b>  |                      |                      |                       |                             |  |
| Source Leakage Current, $I_S$                         |                      |                      |                       |                             |  |
| With Overvoltage                                      |                      |                      | $\pm 78$              | $\mu\text{A typ}$           | $V_{DD} = +13.2\text{ V}$ , $V_{SS} = 0\text{ V}$ , $GND = 0\text{ V}$ , $V_S = \pm 55\text{ V}$ , see Figure 37                   |
| Power Supplies Grounded or Floating                   |                      |                      | $\pm 40$              | $\mu\text{A typ}$           | $V_{DD} = 0\text{ V}$ or floating, $V_{SS} = 0\text{ V}$ or floating, $GND = 0\text{ V}$ , $V_S = \pm 55\text{ V}$ , see Figure 38 |
| Drain Leakage Current, $I_D$                          |                      |                      |                       |                             | $DR = \text{floating or } V_{DD}$  |
| With Overvoltage                                      | $\pm 2.0$            |                      |                       | nA typ                      | $V_{DD} = +13.2\text{ V}$ , $V_{SS} = 0\text{ V}$ , $GND = 0\text{ V}$ , $V_S = \pm 55\text{ V}$ , see Figure 37                   |
| Power Supplies Grounded                               | $\pm 20$<br>$\pm 10$ | $\pm 30$             | $\pm 65$              | nA max<br>nA typ            | $V_{DD} = 0\text{ V}$ , $V_{SS} = 0\text{ V}$ , $GND = 0\text{ V}$ , $V_S = \pm 55\text{ V}$ , see Figure 38                       |
| Power Supplies Floating                               | $\pm 30$<br>$\pm 10$ | $\pm 50$<br>$\pm 10$ | $\pm 100$<br>$\pm 10$ | nA max<br>$\mu\text{A typ}$ | $V_{DD} = \text{floating}$ , $V_{SS} = \text{floating}$ , $GND = 0\text{ V}$ , $V_S = \pm 55\text{ V}$ , see Figure 38             |
| <b>DIGITAL INPUTS/OUTPUTS</b>                         |                      |                      |                       |                             |  |
| Input Voltage High, $V_{INH}$                         |                      |                      | 2.0                   | V min                       |  |
| Input Voltage Low, $V_{INL}$                          |                      |                      | 0.8                   | V max                       |  |
| Input Current, $I_{INL}$ or $I_{INH}$                 | 0.7                  |                      |                       | $\mu\text{A typ}$           | $V_{IN} = V_{GND}$ or $V_{DD}$   |
|   |                      |                      | 1.2                   | $\mu\text{A max}$           |  |
| Digital Input Capacitance, $C_{IN}$                   | 5.0                  |                      |                       | pF typ                      |  |
| Output Voltage High, $V_{OH}$                         | 2.0                  |                      |                       | V min                       |  |
| Output Voltage Low, $V_{OL}$                          | 0.8                  |                      |                       | V max                       |  |

| Parameter  | +25°C      | -40°C to +85°C | -40°C to +125°C | Unit                        | Test Conditions/Comments   |                          |
|--|------------|----------------|-----------------|-----------------------------|--|--------------------------|
| <b>DYNAMIC CHARACTERISTICS<sup>1</sup></b>                                     |            |                |                 |                             |  |                          |
| Overvoltage Response Time, $t_{\text{RESPONSE}}$                               | 560<br>660 | 700            | 720             | ns typ<br>ns max            | $R_L = 1 \text{ k}\Omega$ , $C_L = 2 \text{ pF}$ , see Figure 42   |                          |
| Overvoltage Recovery Time, $t_{\text{RECOVERY}}$                               | 640<br>800 | 865            | 960             | ns typ<br>ns max            | $R_L = 1 \text{ k}\Omega$ , $C_L = 2 \text{ pF}$ , see Figure 43   |                          |
| Drain Pull-Up/Pull-Down Time Following Overvoltage, $t_{\text{RESPONSE (DR)}}$ | 4          |                |                 | $\mu\text{s typ}$           | $C_L = 12 \text{ pF}$ , see Figure 47  |                          |
| Interrupt Flag Response Time, $t_{\text{DIGRESP}}$                             | 85         |                | 115             | ns typ                      | $C_L = 12 \text{ pF}$ , see Figure 44  |                          |
| Interrupt Flag Recovery Time, $t_{\text{DIGREC}}$                              | 60<br>600  |                | 85              | $\mu\text{s typ}$<br>ns typ | $C_L = 12 \text{ pF}$ , see Figure 45<br>$C_L = 12 \text{ pF}$ , $R_{\text{PULLUP}} = 1 \text{ k}\Omega$ , see Figure 46 |                          |
| Channel-to-Channel Crosstalk   | -90        |                |                 | dB typ                      | $R_L = 50 \Omega$ , $C_L = 5 \text{ pF}$ , $f = 1 \text{ MHz}$ , see Figure 39   |                          |
| Total Harmonic Distortion Plus Noise, THD + N                                  | 0.007      |                |                 | % typ                       | $R_L = 10 \text{ k}\Omega$ , $V_S = 6 \text{ V p-p}$ ,<br>$f = 20 \text{ Hz to } 20 \text{ kHz}$ , see Figure 41         |                          |
| -3 dB Bandwidth  | 284        |                |                 | MHz typ                     | $R_L = 50 \Omega$ , $C_L = 5 \text{ pF}$ , see Figure 40   |                          |
| Insertion Loss   | -0.9       |                |                 | dB typ                      | $R_L = 50 \Omega$ , $C_L = 5 \text{ pF}$ , $f = 1 \text{ MHz}$ , see Figure 40   |                          |
| $C_D$ (On), $C_S$ (On)   | 25         |                |                 | pF typ                      | $V_S = 6 \text{ V}$ , $f = 1 \text{ MHz}$  |                          |
| <b>POWER REQUIREMENTS</b>  |            |                |                 |                             |  |                          |
| Normal Mode  |            |                |                 |                             |  |                          |
| $I_{\text{DD}}$  | 0.9        |                |                 | mA typ                      | $V_{\text{DD}} = +13.2 \text{ V}$ , $V_{\text{SS}} = 0 \text{ V}$ ,<br>digital inputs = 0 V, 5 V, or $V_{\text{DD}}$     |                          |
| $I_{\text{POSFV}}$   | 0.1        |                |                 | mA typ                      |  |                          |
| $I_{\text{DD}} + I_{\text{POSFV}}$   | 1.2        |                | 1.3             | mA max                      |  |                          |
| $I_{\text{GND}}$   | 0.4        |                |                 | mA typ                      |  |                          |
|  | 0.55       |                | 0.6             | mA max                      |  |                          |
| $I_{\text{SS}}$  | 0.5        |                |                 | mA typ                      |  |                          |
| $I_{\text{NEGFV}}$   | 0.1        |                |                 | mA typ                      |  |                          |
| $I_{\text{SS}} + I_{\text{NEGFV}}$   | 0.65       |                | 0.7             | mA max                      |  |                          |
| Fault Mode   |            |                |                 |                             |  |                          |
| $I_{\text{DD}}$  | 1.2        |                |                 | mA typ                      |  | $V_S = \pm 55 \text{ V}$ |
| $I_{\text{POSFV}}$   | 0.1        |                |                 | mA typ                      |  |                          |
| $I_{\text{DD}} + I_{\text{POSFV}}$   | 1.6        |                | 1.8             | mA max                      |  |                          |
| $I_{\text{GND}}$   | 0.8        |                |                 | mA typ                      |  |                          |
|  | 1.0        |                | 1.1             | mA max                      |  |                          |
| $I_{\text{SS}}$  | 0.5        |                |                 | mA typ                      | Digital inputs = 5 V   |                          |
| $I_{\text{NEGFV}}$   | 0.1        |                |                 | mA typ                      |  |                          |
| $I_{\text{SS}} + I_{\text{NEGFV}}$   | 1.0        |                | 1.8             | mA max                      | $V_S = \pm 55 \text{ V}$ , $V_D = 0 \text{ V}$   |                          |
| $V_{\text{DD}}$  |            |                | 8               | V min                       | $\text{GND} = 0 \text{ V}$   |                          |
|  |            |                | 44              | V max                       | $\text{GND} = 0 \text{ V}$   |                          |

<sup>1</sup> Guaranteed by design; not subject to production test.



**36 V SINGLE SUPPLY**

$V_{DD} = 36\text{ V} \pm 10\%$ ,  $V_{SS} = 0\text{ V}$ ,  $GND = 0\text{ V}$ ,  $C_{DECOUPLING} = 0.1\text{ }\mu\text{F}$ , unless otherwise noted.

**Table 4.**

| Parameter   | +25°C                | -40°C to +85°C       | -40°C to +125°C       | Unit                        | Test Conditions/Comments   |
|---|----------------------|----------------------|-----------------------|-----------------------------|--|
| <b>ANALOG SWITCH</b>                                  |                      |                      |                       |                             |  |
| Analog Signal Range                                   |                      |                      | 0 V to $V_{DD}$       | V                           | $V_{DD} = +32.4\text{ V}$ , $V_{SS} = 0\text{ V}$ , see Figure 35  |
| On Resistance, $R_{ON}$                               | 22                   |                      |                       | $\Omega$ typ                | $V_S = 0\text{ V to } +30\text{ V}$ , $I_S = -10\text{ mA}$  |
|   | 24.5                 | 31                   | 37                    | $\Omega$ max                |  |
|   | 10                   |                      |                       | $\Omega$ typ                | $V_S = +4.5\text{ V to } +28\text{ V}$ , $I_S = -10\text{ mA}$   |
|   | 11                   | 14                   | 16.5                  | $\Omega$ max                |  |
| On-Resistance Match Between Channels, $\Delta R_{ON}$ | 0.05                 |                      |                       | $\Omega$ typ                | $V_S = 0\text{ V to } +30\text{ V}$ , $I_S = -10\text{ mA}$  |
|   | 0.5                  | 0.6                  | 0.7                   | $\Omega$ max                |  |
|   | 0.05                 |                      |                       | $\Omega$ typ                | $V_S = +4.5\text{ V to } +28\text{ V}$ , $I_S = -10\text{ mA}$   |
|   | 0.35                 | 0.5                  | 0.5                   | $\Omega$ max                |  |
| On-Resistance Flatness, $R_{FLAT(ON)}$                | 12.5                 |                      |                       | $\Omega$ typ                | $V_S = 0\text{ V to } +30\text{ V}$ , $I_S = -10\text{ mA}$  |
|   | 14.5                 | 19                   | 23                    | $\Omega$ max                |  |
|   | 0.1                  |                      |                       | $\Omega$ typ                | $V_S = +4.5\text{ V to } +28\text{ V}$ , $I_S = -10\text{ mA}$   |
|   | 0.4                  | 0.5                  | 0.5                   | $\Omega$ max                |  |
| Threshold Voltage, $V_T$                              | 0.7                  |                      |                       | V typ                       | See Figure 23  |
| <b>LEAKAGE CURRENTS</b>                               |                      |                      |                       |                             |  |
| Channel On Leakage, $I_D$ (On), $I_S$ (On)            | $\pm 0.3$            |                      |                       | nA typ                      | $V_{DD} = +39.6\text{ V}$ , $V_{SS} = 0\text{ V}$  |
|   | $\pm 1.5$            | $\pm 2.0$            | $\pm 4.5$             | nA max                      | $V_S = V_D = 1\text{ V}/30\text{ V}$ , see Figure 36   |
| <b>FAULT</b>  |                      |                      |                       |                             |  |
| Source Leakage Current, $I_S$                         |                      |                      |                       |                             |  |
| With Overvoltage                                      |                      |                      | $\pm 78$              | $\mu\text{A typ}$           | $V_{DD} = +39.6\text{ V}$ , $V_{SS} = 0\text{ V}$ , $GND = 0\text{ V}$ ,<br>$V_S = -40\text{ V to } +55\text{ V}$ , see Figure 37                      |
| Power Supplies Grounded or Floating                   |                      |                      | $\pm 40$              | $\mu\text{A typ}$           | $V_{DD} = 0\text{ V}$ or floating, $V_{SS} = 0\text{ V}$ or<br>floating, $GND = 0\text{ V}$ , $V_S = +55\text{ V}$ , $-40\text{ V}$ ,<br>see Figure 38 |
| Drain Leakage Current, $I_D$                          |                      |                      |                       |                             | $DR = \text{floating or } V_{DD}$  |
| With Overvoltage                                      | $\pm 2.0$            |                      |                       | nA typ                      | $V_{DD} = +39.6\text{ V}$ , $V_{SS} = 0\text{ V}$ , $GND = 0\text{ V}$ ,<br>$V_S = -40\text{ V to } +55\text{ V}$ , see Figure 37                      |
| Power Supplies Grounded                               | $\pm 20$<br>$\pm 10$ | $\pm 30$             | $\pm 65$              | nA max<br>nA typ            | $V_{DD} = 0\text{ V}$ , $V_{SS} = 0\text{ V}$ , $GND = 0\text{ V}$ ,<br>$V_S = -40\text{ V to } +55\text{ V}$ , see Figure 38                          |
| Power Supplies Floating                               | $\pm 30$<br>$\pm 10$ | $\pm 50$<br>$\pm 10$ | $\pm 100$<br>$\pm 10$ | nA max<br>$\mu\text{A typ}$ | $V_{DD} = \text{floating}$ , $V_{SS} = \text{floating}$ , $GND = 0\text{ V}$ ,<br>$V_S = -40\text{ V to } +55\text{ V}$ , see Figure 38                |
| <b>DIGITAL INPUTS/OUTPUTS</b>                         |                      |                      |                       |                             |  |
| Input Voltage High, $V_{INH}$                         |                      |                      | 2.0                   | V min                       |  |
| Input Voltage Low, $V_{INL}$                          |                      |                      | 0.8                   | V max                       |  |
| Input Current, $I_{INL}$ or $I_{INH}$                 | 0.7                  |                      |                       | $\mu\text{A typ}$           | $V_{IN} = V_{GND}$ or $V_{DD}$   |
|   |                      |                      | 1.2                   | $\mu\text{A max}$           |  |
| Digital Input Capacitance, $C_{IN}$                   | 5.0                  |                      |                       | pF typ                      |  |
| Output Voltage High, $V_{OH}$                         | 2.0                  |                      |                       | V min                       |  |
| Output Voltage Low, $V_{OL}$                          | 0.8                  |                      |                       | V max                       |  |

| Parameter   | +25°C        | -40°C to +85°C | -40°C to +125°C | Unit                        | Test Conditions/Comments  |  |
|---|--------------|----------------|-----------------|-----------------------------|---|--|
| <b>DYNAMIC CHARACTERISTICS<sup>1</sup></b>                              |              |                |                 |                             |   |  |
| Overvoltage Response Time, $t_{RESPONSE}$                               | 250<br>350   | 360            | 375             | ns typ<br>ns max            | $R_L = 1\text{ k}\Omega$ , $C_L = 2\text{ pF}$ , see Figure 42  |  |
| Overvoltage Recovery Time, $t_{RECOVERY}$                               | 1500<br>2000 | 2300           | 2700            | ns typ<br>ns max            | $R_L = 1\text{ k}\Omega$ , $C_L = 2\text{ pF}$ , see Figure 43  |  |
| Drain Pull-Up/Pull-Down Time Following Overvoltage, $t_{RESPONSE (DR)}$ | 4            |                |                 | $\mu\text{s typ}$           | $C_L = 12\text{ pF}$ , see Figure 47  |  |
| Interrupt Flag Response Time, $t_{DIGRESP}$                             | 85           |                | 115             | ns typ                      | $C_L = 12\text{ pF}$ , see Figure 44  |  |
| Interrupt Flag Recovery Time, $t_{DIGREC}$                              | 60<br>600    |                | 85              | $\mu\text{s typ}$<br>ns typ | $C_L = 12\text{ pF}$ , see Figure 45<br>$C_L = 12\text{ pF}$ , $R_{PULLUP} = 1\text{ k}\Omega$ , see Figure 46                            |  |
| Channel-to-Channel Crosstalk  | -90          |                |                 | dB typ                      | $R_L = 50\ \Omega$ , $C_L = 5\text{ pF}$ , $f = 1\text{ MHz}$ , see Figure 39   |  |
| Total Harmonic Distortion Plus Noise, THD + N                           | 0.001        |                |                 | % typ                       | $R_L = 10\text{ k}\Omega$ , $V_S = 18\text{ V p-p}$ , $f = 20\text{ Hz to } 20\text{ kHz}$ , see Figure 41                                |  |
| -3 dB Bandwidth   | 321          |                |                 | MHz typ                     | $R_L = 50\ \Omega$ , $C_L = 5\text{ pF}$ , see Figure 40  |  |
| Insertion Loss  | -0.8         |                |                 | dB typ                      | $R_L = 50\ \Omega$ , $C_L = 5\text{ pF}$ , $f = 1\text{ MHz}$ , see Figure 40   |  |
| $C_D$ (On), $C_S$ (On)  | 23           |                |                 | pF typ                      | $V_S = 18\text{ V}$ , $f = 1\text{ MHz}$  |  |
| <b>POWER REQUIREMENTS</b>   |              |                |                 |                             |   |  |
| Normal Mode   |              |                |                 |                             |   |  |
| $I_{DD}$  | 0.9          |                |                 | mA typ                      | $V_{DD} = 39.6\text{ V}$ , $V_{SS} = 0\text{ V}$ ,<br>digital inputs = 0 V, 5 V, or $V_{DD}$<br><br>$V_S = -40\text{ V to } +55\text{ V}$ |  |
| $I_{POSFV}$   | 0.1          |                |                 | mA typ                      |   |  |
| $I_{DD} + I_{POSFV}$  | 1.2          |                | 1.3             | mA max                      |   |  |
| $I_{GND}$   | 0.4          |                |                 | mA typ                      |   |  |
|   | 0.55         |                | 0.6             | mA max                      |   |  |
| $I_{SS}$  | 0.5          |                |                 | mA typ                      |   |  |
| $I_{NEGFV}$   | 0.1          |                |                 | mA typ                      |   |  |
| $I_{SS} + I_{NEGFV}$  | 0.65         |                | 0.7             | mA max                      |   |  |
| Fault Mode  |              |                |                 |                             |   |  |
| $I_{DD}$  | 1.2          |                |                 | mA typ                      |   |  |
| $I_{POSFV}$   | 0.1          |                |                 | mA typ                      |   |  |
| $I_{DD} + I_{POSFV}$  | 1.6          |                | 1.8             | mA max                      |   |  |
| $I_{GND}$   | 0.8          |                |                 | mA typ                      |   |  |
|   | 1.0          |                | 1.1             | mA max                      |   |  |
| $I_{SS}$  | 0.5          |                |                 | mA typ                      |   |  |
| $I_{NEGFV}$   | 0.1          |                |                 | mA typ                      |   |  |
| $I_{SS} + I_{NEGFV}$  | 1.0          |                | 1.8             | mA max                      |   |  |
| $V_{DD}$  |              |                | 8               | V min                       | GND = 0 V   |  |
|   |              |                | 44              | V max                       | GND = 0 V   |  |

<sup>1</sup> Guaranteed by design; not subject to production test.

**CONTINUOUS CURRENT PER CHANNEL, Sx OR Dx**

Table 5.

| Parameter                             | 25°C | 85°C | 125°C | Unit   | Test Conditions/Comments                                |
|---------------------------------------|------|------|-------|--------|---|
| 16-Lead TSSOP                         |      |      |       |        |   |
| $\theta_{JA} = 112.6^\circ\text{C/W}$ | 83   | 59   | 39    | mA max | $V_S = V_{SS} + 4.5\text{ V to } V_{DD} - 4.5\text{ V}$ |
|                                       | 64   | 48   | 29    | mA max | $V_S = V_{SS} \text{ to } V_{DD}$                       |
| 16-Lead LFCSP                         |      |      |       |        |   |
| $\theta_{JA} = 30.4^\circ\text{C/W}$  | 152  | 99   | 61    | mA max | $V_S = V_{SS} + 4.5\text{ V to } V_{DD} - 4.5\text{ V}$ |
|                                       | 118  | 81   | 53    | mA max | $V_S = V_{SS} \text{ to } V_{DD}$                       |

## ABSOLUTE MAXIMUM RATINGS

$T_A = 25^\circ\text{C}$ , unless otherwise noted.

**Table 6.**

| Parameter  | Rating  |
|--|---|
| $V_{DD}$ to $V_{SS}$                               | 48 V  |
| $V_{DD}$ to GND                                    | -0.3 V to +48 V   |
| $V_{SS}$ to GND                                    | -48 V to +0.3 V   |
| POSFV to GND                                       | -0.3 V to $V_{DD} + 0.3$ V                                      |
| NEGFV to GND                                       | $V_{SS} - 0.3$ V to +0.3 V                                      |
| Sx Pins to GND                                     | -55 V to +55 V  |
| Sx to $V_{DD}$ or $V_{SS}$                         | 80 V  |
| $V_S$ to $V_D$                                     | 80 V  |
| Dx Pins <sup>1,2</sup> to GND                      | NEGFV - 0.7 V to POSFV + 0.7 V or 30 mA, whichever occurs first |
| Digital Input (DR pin) to GND                      | GND - 0.7 V to 48 V or 30 mA, whichever occurs first            |
| Peak Current, Sx or Dx Pins                        | 288 mA (pulsed at 1 ms, 10% duty cycle maximum)                 |
| Continuous Current, Sx or Dx Pins                  | Data <sup>3</sup> + 15%   |
| Digital Output (FF pin)                            | GND - 0.7 V to 6 V or 30 mA, whichever occurs first             |
| Dx Pins, Overvoltage State, DR = GND, Load Current | 1 mA  |
| Operating Temperature Range                        | -40°C to +125°C   |
| Storage Temperature Range                          | -65°C to +150°C   |
| Junction Temperature                               | 150°C   |
| Thermal Impedance, $\theta_{JA}$                   |   |
| 16-Lead TSSOP (4-Layer Board)                      | 112.6°C/W   |
| 16-Lead LFCSP (4-Layer Board)                      | 30.4°C/W  |
| Reflow Soldering Peak Temperature, Pb-Free         | As per JEDEC J-STD-020  |
| ESD (HBM: ESDA/JEDEC JS-001-2011)                  |   |
| Input/Output Port to Supplies                      | 4 kV  |
| Input/Output Port to Input/Output Port             | 4 kV  |
| All Other Pins                                     | 4 kV  |

<sup>1</sup> Overvoltages at the Dx pins are clamped by internal diodes. Limit current to the maximum ratings given.

<sup>2</sup> POSFV and NEGFV must not exceed  $V_{DD}$  and  $V_{SS}$ , respectively.

<sup>3</sup> See Table 5.

Stresses at or above those listed under Absolute Maximum Ratings may cause permanent damage to the product. This is a stress rating only; functional operation of the product at these or any other conditions above those indicated in the operational section of this specification is not implied. Operation beyond the maximum operating conditions for extended periods may affect product reliability.

Only one absolute maximum rating can be applied at any one time.

### ESD CAUTION



#### ESD (electrostatic discharge) sensitive device.

Charged devices and circuit boards can discharge without detection. Although this product features patented or proprietary protection circuitry, damage may occur on devices subjected to high energy ESD. Therefore, proper ESD precautions should be taken to avoid performance degradation or loss of functionality.

PIN CONFIGURATIONS AND FUNCTION DESCRIPTIONS



Figure 2. TSSOP Pin Configuration



- NOTES
1. NIC = NOT INTERNALLY CONNECTED. DO NOT CONNECT TO THIS PIN.
  2. THE EXPOSED PAD IS CONNECTED INTERNALLY. FOR INCREASED RELIABILITY OF THE SOLDER JOINTS AND MAXIMUM THERMAL CAPABILITY, IT IS RECOMMENDED THAT THE PAD BE SOLDERED TO THE LOWEST SUPPLY VOLTAGE,  $V_{SS}$ .

Figure 3. LFCSP Pin Configuration

Table 7. Pin Function Descriptions

| Pin No. |       | Mnemonic    | Description  |
|---------|-------|-------------|--|
| TSSOP   | LFCSP |             |  |
| 1       | 15    | NEG FV      | Negative Fault Voltage. This pin provides the negative supply voltage that determines the overvoltage protection level. If a secondary supply is not used, connect this pin to $V_{SS}$ .  |
| 2       | 16    | D1          | Drain Terminal 1. This pin can be an input or an output.   |
| 3       | 1     | S1          | Overvoltage Protected Source Terminal 1. This pin can be an input or an output.  |
| 4       | 2     | $V_{SS}$    | Most Negative Power Supply Potential.  |
| 5       | 3     | GND         | Ground (0 V) Reference.  |
| 6       | 4     | S4          | Overvoltage Protected Source Terminal 4. This pin can be an input or an output.  |
| 7       | 5     | D4          | Drain Terminal 4. This pin can be an input or an output.   |
| 8       | 6     | DR          | Drain Response Digital Input. Tying this pin to GND enables the drain to pull to POSFV or NEG FV during an overvoltage fault condition. The default condition of the drain is open-circuit when the pin is left floating or if it is tied to $V_{DD}$ .  |
| 9       | 7     | NIC         | Not Internally Connected.  |
| 10      | 8     | D3          | Drain Terminal 3. This pin can be an input or an output.   |
| 11      | 9     | S3          | Overvoltage Protected Source Terminal 3. This pin can be an input or an output.  |
| 12      | 10    | FF          | Fault Flag Digital Output. This pin has a high output (nominally 3 V) when the device is in normal operation or a low output when a fault condition occurs on any of the $S_x$ inputs. The FF pin has a weak internal pull-up that allows the signals to be combined into a single interrupt for larger modules that contain multiple devices. |
| 13      | 11    | $V_{DD}$    | Most Positive Power Supply Potential.  |
| 14      | 12    | S2          | Overvoltage Protected Source Terminal 2. This pin can be an input or an output.  |
| 15      | 13    | D2          | Drain Terminal 2. This pin can be an input or an output.   |
| 16      | 14    | POS FV      | Positive Fault Voltage. This pin provides the positive supply voltage that determines the overvoltage protection level. If a secondary supply is not used, connect this pin to $V_{DD}$ .  |
|         | EP    | Exposed Pad | The exposed pad is connected internally. For increased reliability of the solder joints and maximum thermal capability, it is recommended that the pad be soldered to the lowest supply voltage, $V_{SS}$ .  |

### TYPICAL PERFORMANCE CHARACTERISTICS

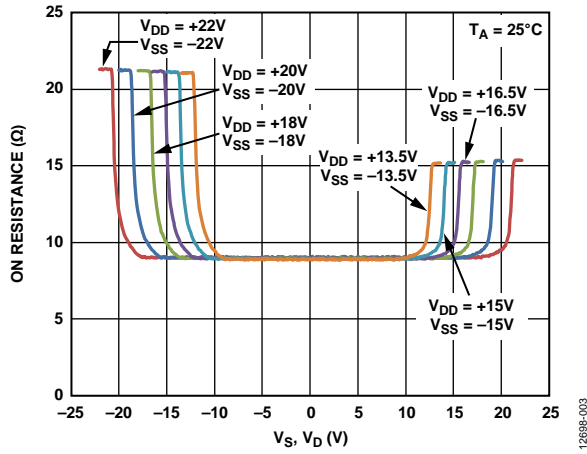


Figure 4. On Resistance ( $R_{ON}$ ) as a Function of  $V_S, V_D$  (Dual Supply)

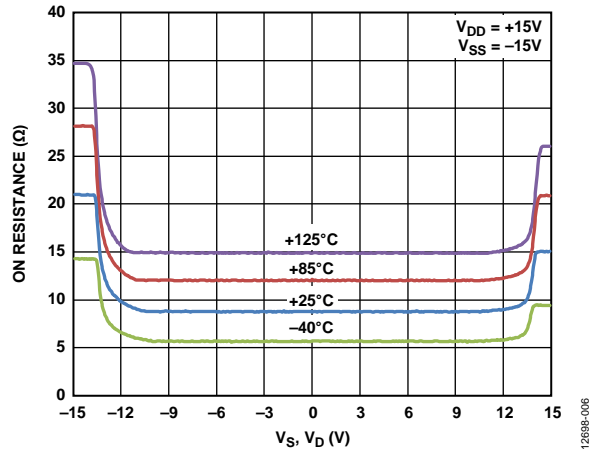


Figure 7. On Resistance ( $R_{ON}$ ) as a Function of  $V_S, V_D$  for Different Temperatures,  $\pm 15$  V Dual Supply

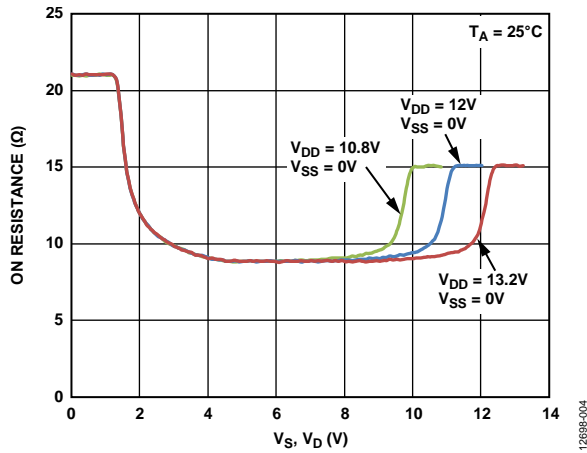


Figure 5. On Resistance ( $R_{ON}$ ) as a Function of  $V_S, V_D$  (12 V Single Supply)

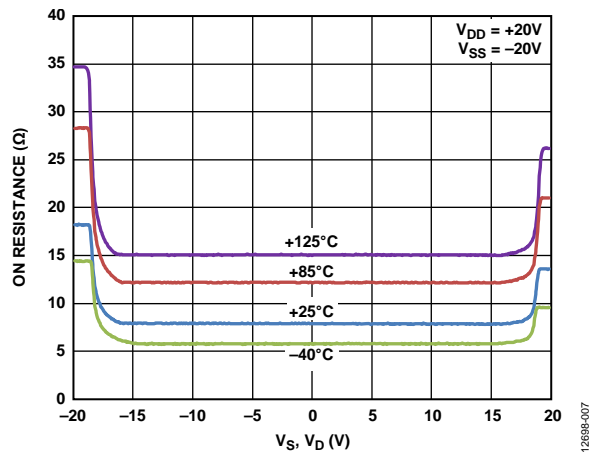


Figure 8. On Resistance ( $R_{ON}$ ) as a Function of  $V_S, V_D$  for Different Temperatures,  $\pm 20$  V Dual Supply

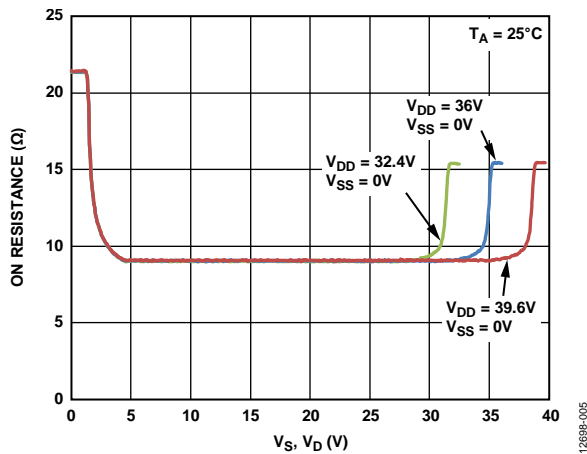


Figure 6. On Resistance ( $R_{ON}$ ) as a Function of  $V_S, V_D$  (36 V Single Supply)

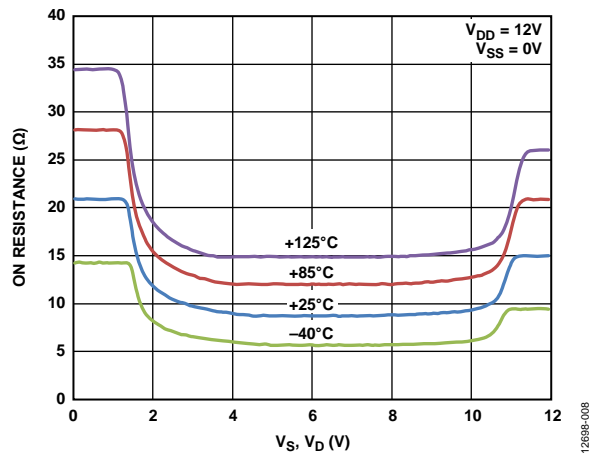


Figure 9. On Resistance ( $R_{ON}$ ) as a Function of  $V_S, V_D$  for Different Temperatures, 12 V Single Supply



Figure 10. On Resistance ( $R_{ON}$ ) as a Function of  $V_S$ ,  $V_D$  for Different Temperatures, 36 V Single Supply

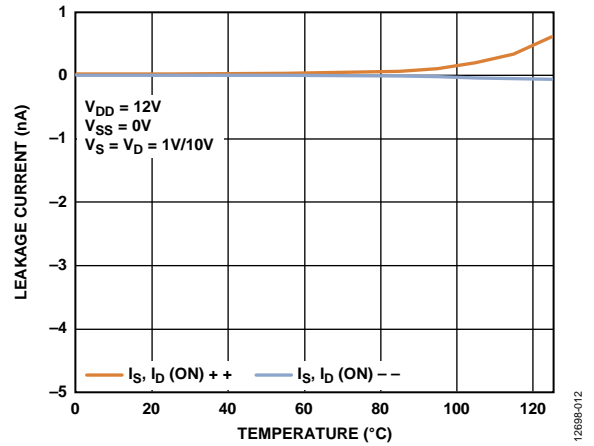


Figure 13. Leakage Current vs. Temperature, 12 V Single Supply



Figure 11. Leakage Current vs. Temperature,  $\pm 15$  V Dual Supply

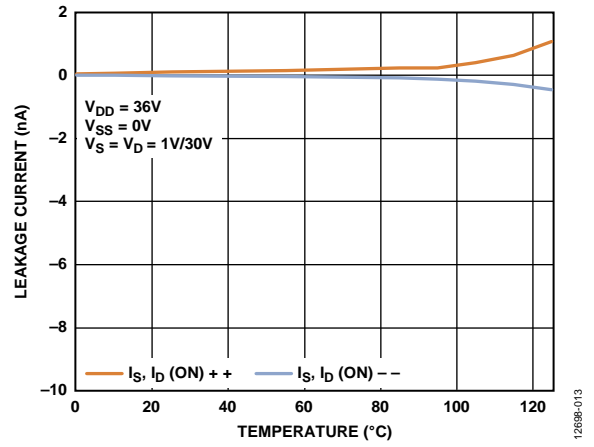


Figure 14. Leakage Current vs. Temperature, 36 V Single Supply

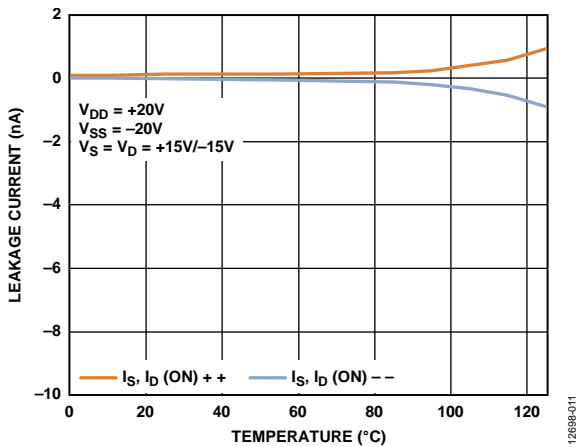


Figure 12. Leakage Current vs. Temperature,  $\pm 20$  V Dual Supply

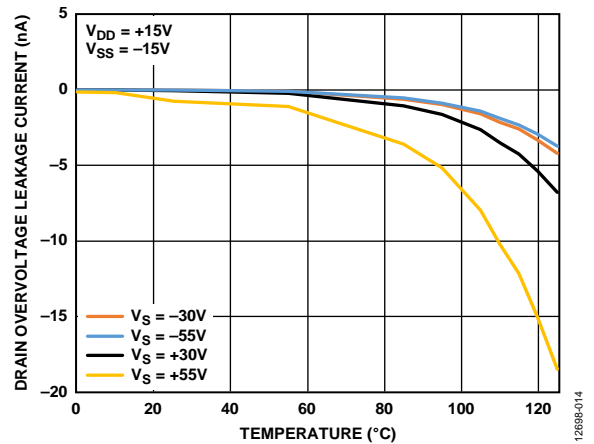


Figure 15. Drain Overvoltage Leakage Current vs. Temperature,  $\pm 15$  V Dual Supply



Figure 16. Drain Overvoltage Leakage Current vs. Temperature, ±20 V Dual Supply

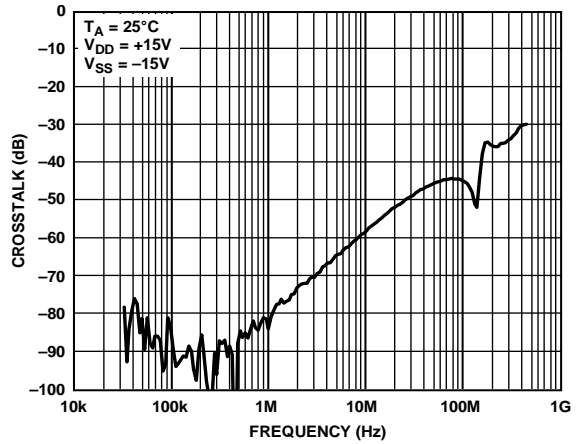


Figure 19. Crosstalk vs. Frequency, ±15 V Dual Supply

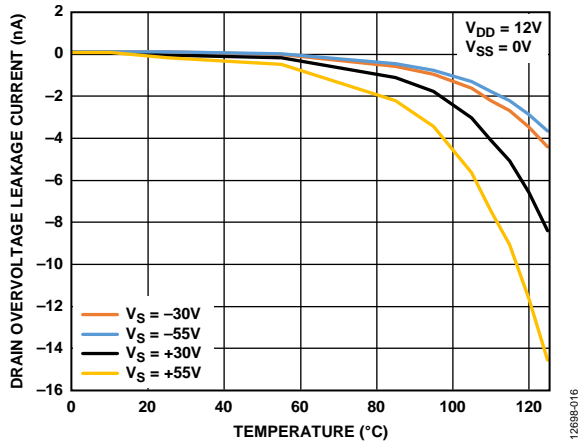


Figure 17. Drain Overvoltage Leakage Current vs. Temperature, 12 V Single Supply

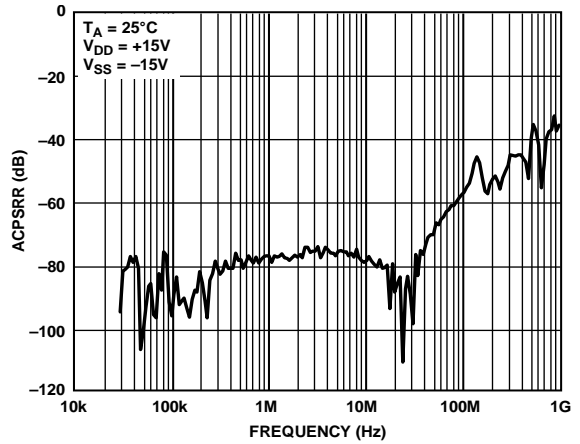


Figure 20. AC Power Supply Rejection Ratio (ACPSRR) vs. Frequency, ±15 V Dual Supply

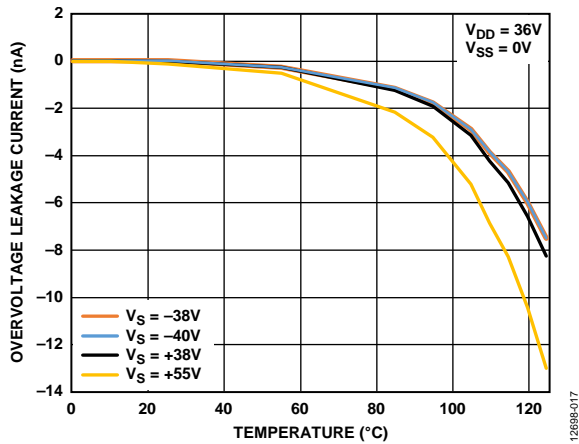


Figure 18. Overvoltage Leakage Current vs. Temperature, 36 V Single Supply

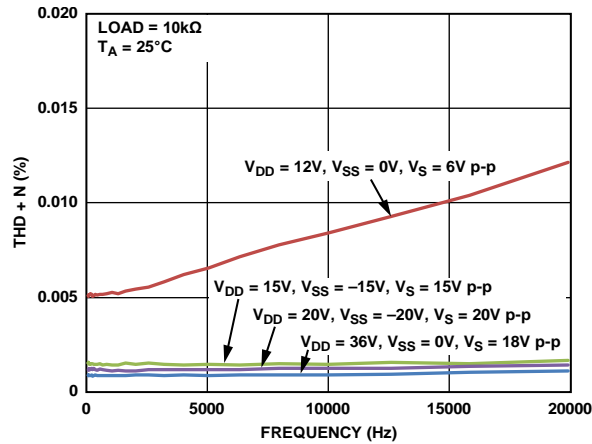


Figure 21. THD + N vs. Frequency, ±15 V Dual Supply



Figure 22. Bandwidth vs. Frequency

12698-021



Figure 25. Drain Output Response to Positive Overvoltage (DR = Floating or High)

12698-024



Figure 23. Threshold Voltage ( $V_T$ ) vs. Temperature

12698-022



Figure 26. Drain Output Recovery from Positive Overvoltage (DR = Floating or High)

12698-025



Figure 24. Large Voltage Signal Tracking vs. Frequency

12698-023

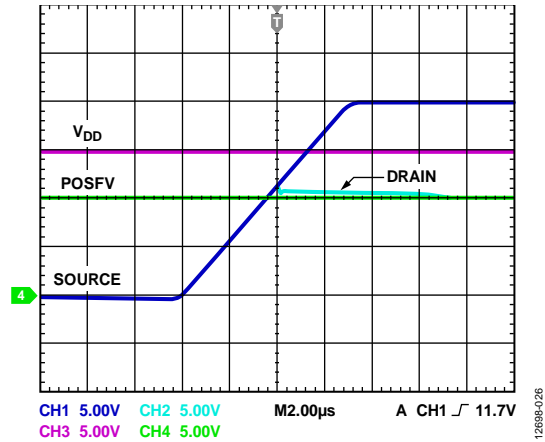


Figure 27. Drain Output Response to Positive Overvoltage (DR = GND)

12698-026





Figure 28. Drain Output Recovery from Positive Overvoltage (DR = GND)

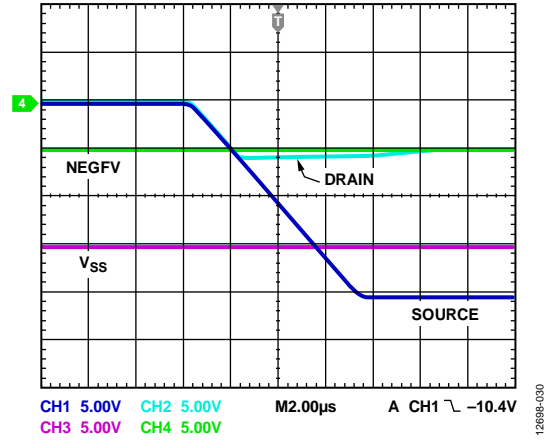


Figure 31. Drain Output Response to Negative Overvoltage (DR = GND)

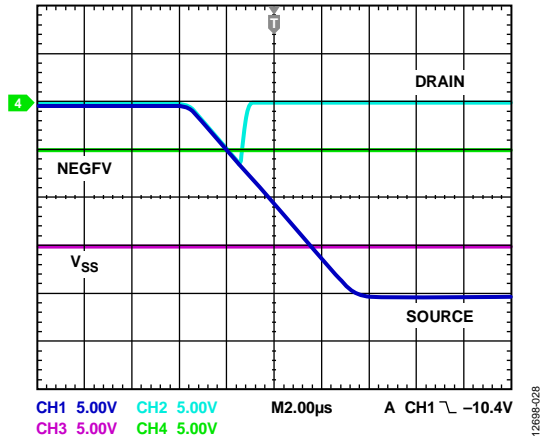


Figure 29. Drain Output Response to Negative Overvoltage (DR = Floating or High)

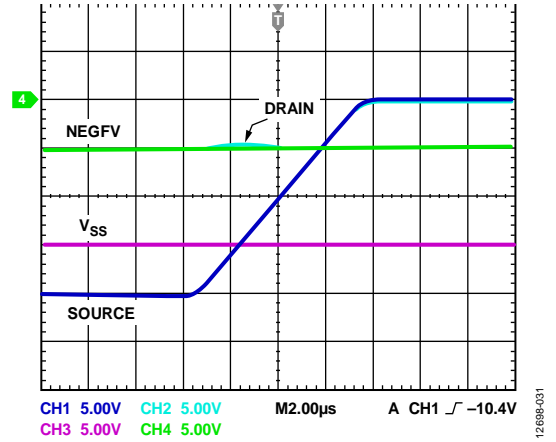


Figure 32. Drain Output Recovery from Negative Overvoltage (DR = GND)

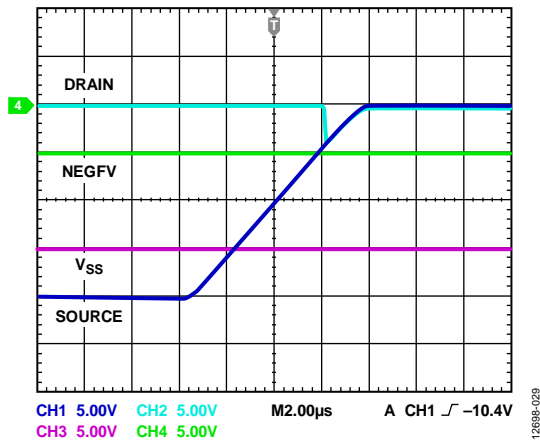


Figure 30. Drain Output Recovery from Negative Overvoltage (DR = Floating or High)

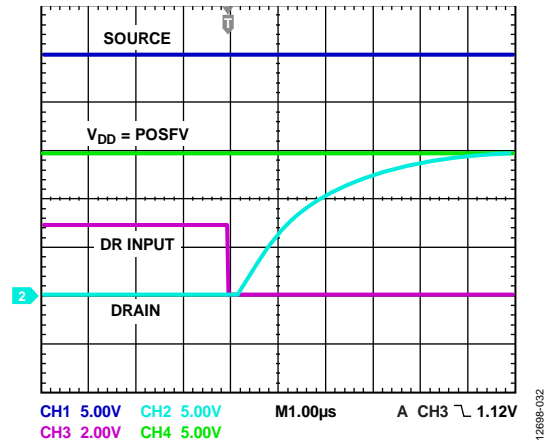


Figure 33. Drain Output Response to Positive Overvoltage (DR = High to Low)



Figure 34. Drain Output Response to Negative Overvoltage (DR = High to Low)

TEST CIRCUITS



Figure 35. On Resistance



Figure 36. On Leakage

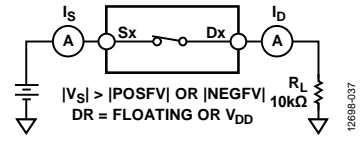


Figure 37. Switch Overvoltage Leakage

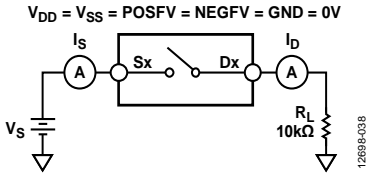


Figure 38. Switch Unpowered Leakage

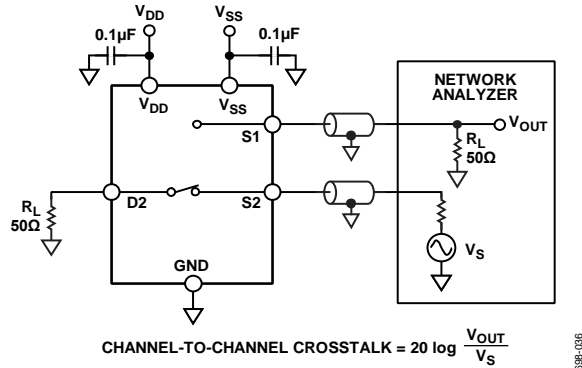


Figure 39. Channel-to-Channel Crosstalk

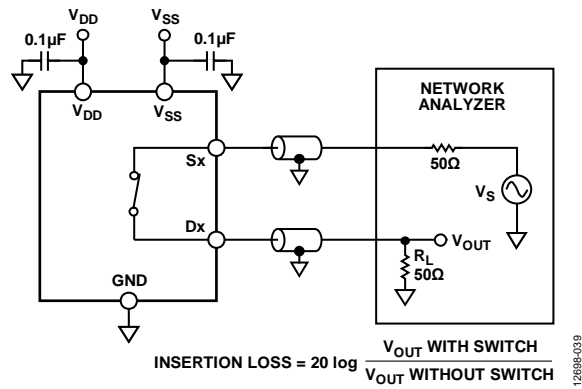


Figure 40. Bandwidth



Figure 41. THD + N



Figure 42. Overvoltage Response Time,  $t_{RESPONSE}$



Figure 43. Overvoltage Recovery Time,  $t_{RECOVERY}$



Figure 44. Interrupt Flag Response Time,  $t_{DIGRESP}$



Figure 45. Interrupt Flag Recovery Time,  $t_{DIGREC}$



Figure 46. Interrupt Flag Recovery Time,  $t_{DIGREC}$ , with a 1 kΩ Pull-Up Resistor



Figure 47. Drain Enable Time with Overvoltage,  $t_{\text{RESPONSE}}(\text{DR})$

12888-046

## TERMINOLOGY

### $I_{DD}$

$I_{DD}$  represents the positive primary supply current.

### $I_{SS}$

$I_{SS}$  represents the negative primary supply current.

### $I_{POSFV}$

$I_{POSFV}$  represents the positive secondary supply current.

### $I_{NEGFV}$

$I_{NEGFV}$  represents the negative secondary supply current.

### $V_D, V_S$

$V_D$  and  $V_S$  represent the analog voltage on the Dx pins and the Sx pins, respectively.

### $R_{ON}$

$R_{ON}$  represents the ohmic resistance between the Dx pins and the Sx pins.

### $\Delta R_{ON}$

$\Delta R_{ON}$  represents the difference between the  $R_{ON}$  of any two channels.

### $R_{FLAT(ON)}$

$R_{FLAT(ON)}$  is the flatness that is defined as the difference between the maximum and minimum value of on resistance measured over the specified analog signal range.

### $I_D$ (On), $I_S$ (On)

$I_D$  (On) and  $I_S$  (On) represent the channel leakage currents with the switch on.

### $V_{INL}$

$V_{INL}$  is the maximum input voltage for Logic 0.

### $V_{INH}$

$V_{INH}$  is the minimum input voltage for Logic 1.

### $I_{INL}, I_{INH}$

$I_{INL}$  and  $I_{INH}$  represent the low and high input currents of the digital inputs.

### $C_D$ (On), $C_S$ (On)

$C_D$  (On) and  $C_S$  (On) represent the on switch capacitances, which are measured with reference to ground.

### $C_{IN}$

$C_{IN}$  is the digital input capacitance.

### $t_{DIGRESP}$

$t_{DIGRESP}$  is the time required for the FF pin to go low (0.3 V), measured with respect to voltage on the source pin exceeding the supply voltage by 0.5 V.

### $t_{DIGREC}$

$t_{DIGREC}$  is the time required for the FF pin to return high, measured with respect to voltage on the Sx pin falling below the supply voltage plus 0.5 V.

### $t_{RESPONSE}$

$t_{RESPONSE}$  represents the delay between the source voltage exceeding the supply voltage by 0.5 V and the drain voltage falling to 90% of the supply voltage.

### $t_{RECOVERY}$

$t_{RECOVERY}$  represents the delay between an overvoltage on the Sx pin falling below the supply voltage plus 0.5 V and the drain voltage rising from 0 V to 10% of the supply voltage.

### $t_{RESPONSE (DR)}$

$t_{RESPONSE (DR)}$  represents the delay between the voltage at the DR pin falling from a high to low signal and the output of the drain pin reaching 90% of either POSFV or NEGFV

### Channel-to-Channel Crosstalk

Crosstalk is a measure of unwanted signal that is coupled through from one channel to another as a result of parasitic capacitance.

### -3 dB Bandwidth

Bandwidth is the frequency at which the output is attenuated by 3 dB.

### On Response

On response is the frequency response of the on switch.

### Insertion Loss

Insertion loss is the loss due to the on resistance of the switch.

### Total Harmonic Distortion Plus Noise (THD + N)

THD + N is the ratio of the harmonic amplitude plus noise of the signal to the fundamental.

### AC Power Supply Rejection Ratio (ACPSRR)

ACPSRR is the ratio of the amplitude of signal on the output to the amplitude of the modulation. ACPSRR is a measure of the ability of the device to avoid coupling noise and spurious signals that appear on the supply voltage pin to the output of the switch. The dc voltage on the device is modulated by a sine wave of 0.62 V p-p.

### $V_T$

$V_T$  is the voltage threshold at which the overvoltage protection circuitry engages. See Figure 23

## THEORY OF OPERATION

### SWITCH ARCHITECTURE

Each channel of the ADG5462F consists of a parallel pair of NDMOS and PDMOS transistors. This construction provides excellent performance across the signal range. The ADG5462F channels present only as a typical impedance of  $10\ \Omega$  when input signals with a voltage between POSFV and NEGfV are applied.

Additional internal circuitry enables the switch to detect overvoltage inputs by comparing the voltage on the source pin ( $S_x$ ) with POSFV and NEGfV. A signal is considered overvoltage if it exceeds the secondary supply voltages by the voltage threshold ( $V_T$ ). The threshold voltage is typically  $0.7\ \text{V}$ , but it ranges from  $0.8\ \text{V}$  at  $-40^\circ\text{C}$  down to  $0.6\ \text{V}$  at  $+125^\circ\text{C}$ . See Figure 23 to see the change in  $V_T$  with operating temperature.

The maximum voltage that can be applied to any source input is  $-55\ \text{V}$  or  $+55\ \text{V}$ . When the device is powered using a single supply of  $25\ \text{V}$  or greater, the maximum negative signal level is reduced. It reduces from  $-55\ \text{V}$  at  $V_{DD} = +25\ \text{V}$  to  $-40\ \text{V}$  at  $V_{DD} = +40\ \text{V}$  to remain within the  $80\ \text{V}$  maximum rating. Construction of the silicon process allows the channel to withstand  $80\ \text{V}$  across the switch when it is opened. These overvoltage limits apply whether the power supplies are present or not.



Figure 48. Switch Channel and Control Function

When an overvoltage condition is detected on a source pin ( $S_x$ ), the switch automatically opens and the source pin ( $S_x$ ) becomes high impedance and ensures that no current flows through the switch. If the DR pin is driven low, the drain pin ( $D_x$ ) is pulled to the supply that was exceeded. For example, if the source voltage exceeds POSFV, the drain output pulls to POSFV. The same is true for NEGfV. In Figure 27, the voltage on the drain pin ( $D_x$ ) clamps to the POSFV voltage when the source voltage exceeds POSFV by  $V_T$ . If the DR pin is allowed to float or is driven high, the drain pin ( $D_x$ ) also goes open circuit. In Figure 25, the voltage on the drain pin ( $D_x$ ) follows the voltage on the source pin ( $S_x$ ) until the switch turns off completely and the drain voltage discharges through the load. The output response for each drain pin configuration is shown in Figure 49. The maximum voltage on the drain is limited by the internal ESD diodes and the rate at which the output voltage discharges is dependent on the load at the pin.



Figure 49. Drain Output Response During Overvoltage Condition

During overvoltage conditions, the leakage current into and out of the source pins ( $S_x$ ) is limited to tens of microamperes. If the DR pin is allowed to float or is driven high, only nanoamperes of leakage are seen on the drain pins ( $D_x$ ). If the DR pin is driven low, the drain pin ( $D_x$ ) is pulled to the rail. The device that pulls the drain pin to the rail has an impedance of approximately  $40\ \text{k}\Omega$ ; therefore, the  $D_x$  pin current is limited to about  $1\ \text{mA}$  during a shorted load condition. This internal impedance also determines the minimum external load resistance required to ensure that the drain pin is pulled to the desired voltage level during a fault.

When an overvoltage event occurs, the channels undisturbed by the overvoltage input continue to operate normally without additional crosstalk.

### ESD Performance

The ADG5462F has an ESD rating of  $4\ \text{kV}$  for the human body model.

The drain pins ( $D_x$ ) have ESD protection diodes to the secondary supply rails, and the voltage at these pins must not exceed the secondary supply voltage.

The source pins ( $S_x$ ) have specialized ESD protection that allows the signal voltage to reach  $\pm 55\ \text{V}$  with a  $\pm 22\ \text{V}$  dual supply, and from  $-40\ \text{V}$  to  $+55\ \text{V}$  with a  $+40\ \text{V}$  single supply. See Figure 48 for the switch channel overview. Exceeding  $\pm 55\ \text{V}$  on any source input may damage the ESD protection circuitry on the device.



**Trench Isolation**

In the ADG5462F, an insulating oxide layer (trench) is placed between the NDMOS and the PDMOS transistors of each channel. Parasitic junctions, which occur between the transistors in junction isolated switches, are eliminated, and the result is a switch that is latch-up immune under all circumstances. This device passes a JESD78D latch-up test of  $\pm 500$  mA for 1 sec, which is the harshest test in the specification.

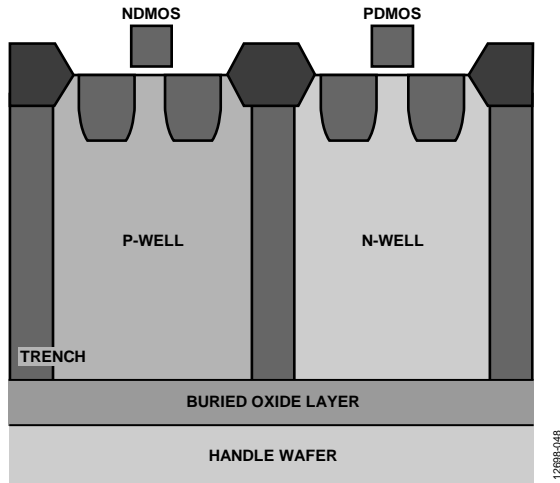


Figure 50. Trench Isolation

**USER DEFINED FAULT PROTECTION**

POSFV and NEGfV are required secondary power supplies that set the level at which the overvoltage protection is engaged. POSFV can be supplied from 4.5 V up to  $V_{DD}$ , and NEGfV can be supplied from  $V_{SS}$  to 0 V. If a secondary supply is not available, these pins (POSFV and NEGfV) must be connected to  $V_{DD}$  (POSFV) and  $V_{SS}$  (NEGfV). The overvoltage protection then engages at the primary supply voltages. When the voltages at the source inputs exceed POSFV or NEGfV by  $V_T$ , the channel turns off or, if the device is unpowered, the channel remains off. The source input remains high impedance, and if the DR pin is driven low, the drain pulls to either POSFV or NEGfV. Signal levels up to  $-55$  V and  $+55$  V are blocked in both the powered and unpowered condition as long as the 80 V limitation between the source and supply pins is met.

**Power-On Protection**

For the channel to be in the on condition, the following three conditions must be satisfied:

- The primary supply must be  $V_{DD}$  to  $V_{SS} \geq 8$  V.
- For POSFV, the secondary supply must be between 4.5 V and  $V_{DD}$ , and for NEGfV, the secondary supply must be between  $V_{SS}$  and 0 V.
- The input signal must be between  $NEGfV - V_T$  and  $POSFV + V_T$ .

When the channel is on, signal levels up to the secondary supply rails are passed.

The channel responds to an analog input that exceeds POSFV or NEGfV by a threshold voltage ( $V_T$ ) by turning off. The absolute input voltage limits are  $-55$  V and  $+55$  V, while maintaining an 80 V limit between the source pin ( $S_x$ ) and the supply rails. The switch remains off until the voltage at the source pin ( $S_x$ ) returns to between POSFV and NEGfV.

The fault response time ( $t_{RESPONSE}$ ) when powered by a  $\pm 15$  V dual supply is typically 460 ns, and the fault recovery time ( $t_{RECOVERY}$ ) is 720 ns. These values vary with supply voltage and output load conditions.

The maximum stress across the channel and between the source pin ( $S_x$ ) and any supply pin is 80 V; therefore, pay close attention to this limit if using the device in a single-supply configuration and a negative overvoltage is applied to the device.

For example, consider the case where the device is set up in a single supply configuration, as shown in Figure 51.

- $V_{DD} = POSFV = 36$  V,  $V_{SS} = NEGfV = GND = 0$  V
- $S1 = +36$  V,  $S2 = +5$  V, and  $S3 = -40$  V
- The voltage difference from  $S1$  to  $V_{DD}/POSFV = 0$  V, and to  $V_{SS}/NEGfV = 36$  V
- The voltage difference from  $S2$  to  $V_{DD}/POSFV = 31$  V, and to  $V_{SS}/NEGfV = 5$  V
- The voltage difference from  $S3$  to  $V_{DD}/POSFV = 76$  V, and to  $V_{SS}/NEGfV = 40$  V

These calculations are all within device specifications: 55 V maximum fault on source inputs and a maximum of 80 V across the channel or to a supply pin. The voltage on a source pin ( $S_x$ ) cannot go below  $-44$  V to stay within  $+80$  V maximum.

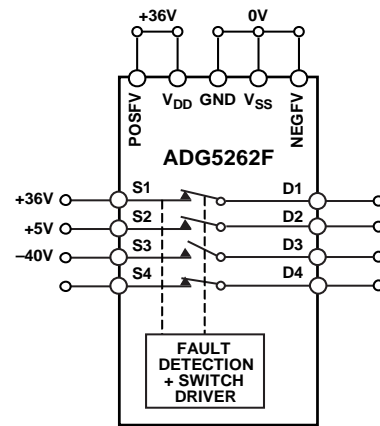


Figure 51. ADG5462F in Single-Supply Configuration Under Overvoltage Conditions

**Power-Off Protection**

When no power supplies are present, the channel remains in the off condition, and the switch inputs are high impedance. This state ensures that no current flows and prevents damage to the switch or downstream circuitry. The switch output is a virtual open circuit.

The switch remains off regardless of whether the primary and secondary supplies are 0 V or floating. A GND reference must always be present to ensure proper operation. Signal levels of up to  $\pm 55$  V are blocked in the unpowered condition.

**Digital Input Protection**

The ADG5462F can tolerate digital input signals being present on the device without power. The digital input is protected against positive faults up to 44 V. The digital input does not offer protection against negative overvoltages. ESD protection diodes connected to GND are present on the digital input.

**Overvoltage Interrupt Flag**

The voltages on the source inputs of the ADG5462F are continuously monitored, and an active low digital output pin (FF) indicates the state of the switches.

The voltage on the FF pin indicates if any of the source input pins are experiencing a fault condition. The output of the FF pin is a nominal 3 V when all source pins ( $S_x$ ) are within normal operating range. If any source pin ( $S_x$ ) voltage exceeds the supply voltage by  $V_T$ , the FF output reduces to below 0.8 V.

## APPLICATIONS INFORMATION

The overvoltage protected family of switches and multiplexers provide robust solutions for instrumentation, industrial, automotive, aerospace, and other harsh environments where overvoltage signals can be present, and the system must remain operational both during and after the overvoltage has occurred.

### POWER SUPPLY RAILS

To guarantee correct operation of the device, 0.1  $\mu\text{F}$  decoupling capacitors are required on the primary and secondary supplies. If they are driven from the same supply, then one set of 0.1  $\mu\text{F}$  decoupling capacitors is sufficient.

The secondary supplies (POSFV and NEGFV) provide the current required to operate the fault protection and, therefore, must be low impedance supplies. Therefore, they can be derived from the primary supply by using a resistor divider and buffer.

The secondary supply rails (POSFV and NEGFV) must not exceed the primary supply rails ( $V_{\text{DD}}$  and  $V_{\text{SS}}$ ) because this can lead to a signal passing through the switch unintentionally.

The ADG5462F can operate with bipolar supplies between  $\pm 5$  V and  $\pm 22$  V. The supplies on  $V_{\text{DD}}$  and  $V_{\text{SS}}$  need not be symmetrical but the  $V_{\text{DD}}$  and  $V_{\text{SS}}$  range must not exceed 44 V. The ADG5462F can also operate with single supplies between 8 V and 44 V with  $V_{\text{SS}}$  connected to GND.

The ADG5462F is fully specified at  $\pm 15$  V,  $\pm 20$  V,  $+12$  V, and  $+36$  V supply ranges.

### POWER SUPPLY SEQUENCING PROTECTION

The channels remain open when the device is unpowered and signals from  $-55$  V to  $+55$  V can be applied without damaging the device. Only when the supplies are connected, and the signal is within normal operating range, do the channels close. Placing the ADG5462F between external connectors and sensitive components offers protection in systems where a signal is presented to the source pins (Sx) before the supply voltages are available.

### POWER SUPPLY RECOMMENDATIONS

Analog Devices, Inc., has a wide range of power management products to meet the requirements of most high performance signal chains.

An example of a bipolar power solution is shown in Figure 52. The ADP7118 and ADP7182 can be used to generate clean positive and negative rails from the dual switching regulator output. These rails can power the ADG5462F, an amplifier, and/or a precision converter in a typical signal chain.



Figure 52. Bipolar Power Solution

Table 8. Recommended Power Management Devices

| Product | Description   |
|---------|---|
| ADP7118 | 20 V, 200 mA, low noise, CMOS low dropout regulator (LDO) |
| ADP7142 | 40 V, 200 mA, low noise, CMOS LDO                         |
| ADP7182 | $-28$ V, $-200$ mA, low noise, linear regulator           |

### USER DEFINED SIGNAL RANGE

The primary supplies define the on-resistance profile of the channels, while the secondary supplies define the signal range. Using voltages on POSFV and NEGFV that are lower than  $V_{\text{DD}}$  and  $V_{\text{SS}}$ , the required signal can benefit from the flat on resistance in the center of the full signal capabilities of the device.

### LOW IMPEDANCE CHANNEL PROTECTION

The ADG5462F can be used as a protective element in signal chains that are sensitive to both channel impedance and overvoltage signals. Traditionally, series resistors are used to limit the current during an overvoltage condition to protect susceptible components.

These series resistors affect the performance of the signal chain and reduce the precision that can be reached. A compromise must be reached on the value of the series resistance that is high enough to sufficiently protect sensitive components but low enough that the precision performance of the signal chain is not sacrificed.

The ADG5462F enables the designer to remove these resistors and retain the precision performance without compromising the protection of the circuit.

### HIGH VOLTAGE SURGE SUPPRESSION

The ADG5462F is not intended for use in very high voltage applications. The maximum operating voltage of the transistor is 80 V. In applications where the inputs are likely to be subject to overvoltages exceeding the breakdown voltage, use transient voltage suppressors (TVSs) or similar.

## INTELLIGENT FAULT DETECTION

The [ADG5462F](#) digital output pin (FF) can interface with a microprocessor or control system and be used as an interrupt flag. This feature provides real-time diagnostic information on the state of the device and the system to which it connects.

The control system can use the digital interrupt to start a variety of actions, such as

- Initiating investigation into the source of the overvoltage fault
- Shutting down critical systems in response to the overvoltage
- Signaling the data recorders to mark data during these events as unreliable or out of specification

For systems that are sensitive during a start-up sequence, the active low operation of the flag allows the system to ensure that the [ADG5462F](#) is powered on and that all input voltages are within normal operating range before initiating operation.

The FF pin is a weak pull-up, which allows the signals to be combined into a single interrupt for larger modules that contain multiple devices.

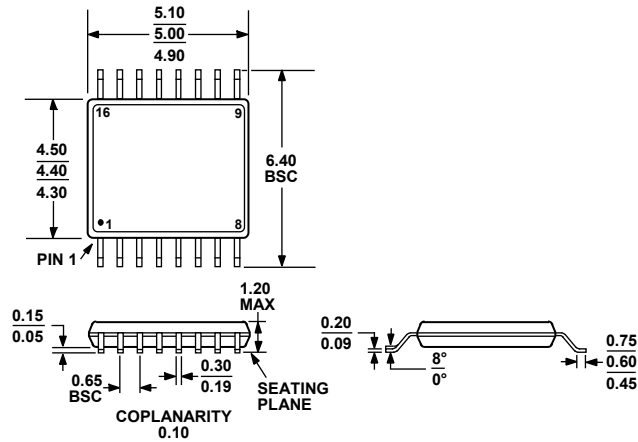
The interrupt flag recovery time,  $t_{DIGREC}$ , can be decreased from a typical 60  $\mu$ s to 600 ns by using a 1 k $\Omega$  pull-up resistor.

The DR pin can also be used for diagnostic purposes. The FF pin provides an interrupt that indicates one of the four channels has a fault. The DR pin can then be pulled low to find which of the channels has a fault as well as the polarity of the fault. For example, if an ADC downstream is monitoring the channel, a full-scale reading then indicates a positive fault, and a zero-scale reading indicates a negative fault.

## LARGE VOLTAGE, HIGH FREQUENCY SIGNALS

Figure 24 illustrates the voltage range and frequencies that the [ADG5462F](#) can reliably convey. For signals that extend across the full signal range from  $V_{SS}$  to  $V_{DD}$ , keep the frequency less than 3 MHz. If the required frequency is greater than 3 MHz, decrease the signal range appropriately to ensure signal integrity.

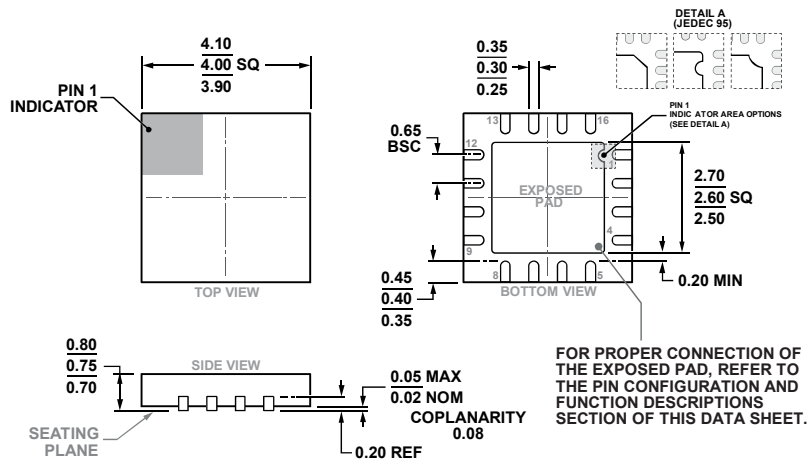
OUTLINE DIMENSIONS



COMPLIANT TO JEDEC STANDARDS MO-153-AB

Figure 53. 16-Lead Thin Shrink Small Outline Package [TSSOP] (RU-16)

Dimensions shown in millimeters



COMPLIANT TO JEDEC STANDARDS MO-220-WGGC.

Figure 54. 16-Lead Lead Frame Chip Scale Package [LFCSPP] 4 mm × 4 mm Body and 0.75 mm Package Height (CP-16-17)

Dimensions shown in millimeters

ORDERING GUIDE

| Model <sup>1</sup> | Temperature Range | Package Description                               | Package Option |
|--------------------|-------------------|---|----------------|
| ADG5462FBRUZ       | -40°C to +125°C   | 16-Lead Thin Shrink Small Outline Package [TSSOP] | RU-16          |
| ADG5462FBRUZ-RL7   | -40°C to +125°C   | 16-Lead Thin Shrink Small Outline Package [TSSOP] | RU-16          |
| ADG5462FBCPZ-RL7   | -40°C to +125°C   | 16-Lead Lead Frame Chip Scale Package [LFCSPP]    | CP-16-17       |
| EVAL-ADG5426FEBZ   |                   | Evaluation Board                                  |                |

<sup>1</sup> Z = RoHS Compliant Part.

# Mouser Electronics

Authorized Distributor

Click to View Pricing, Inventory, Delivery & Lifecycle Information:

[Analog Devices Inc.:](#)

[ADG5462FBRUZ](#) [ADG5462FBRUZ-RL7](#) [EVAL-ADG5462FEBZ](#) [ADG5462FBCPZ-RL7](#)